

Model ECSS 15 - ESS15B31

3" - 14 gauge spun aluminum ball
gold anodized.

Single sheave truck, cast aluminum
stationary, non-fouling type

One set of halyard,
#8 polypropylene

2 Nylon flag snaps

One 9" Cast Aluminum Cleat

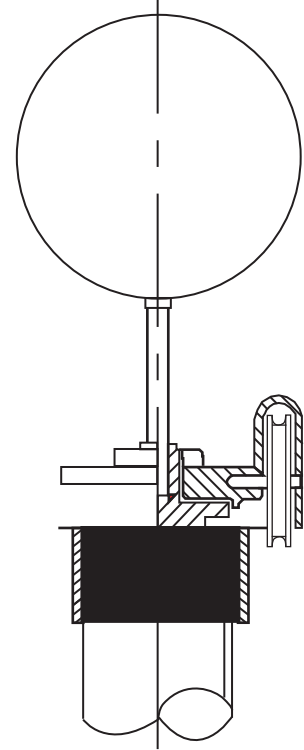
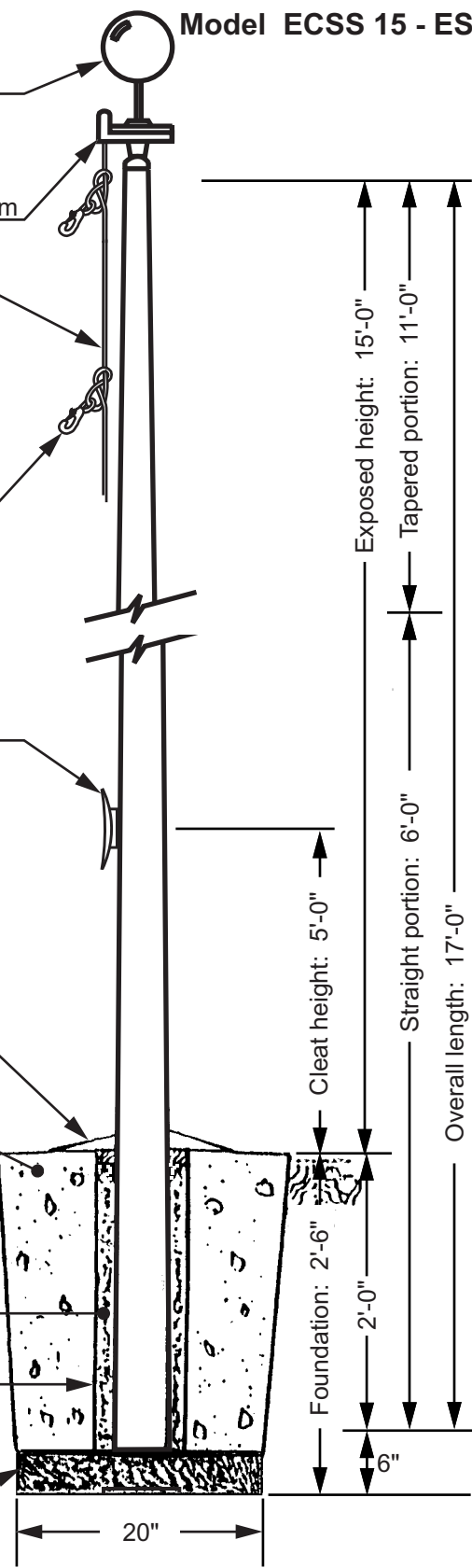
Aluminum flash collar (Optional)

3000 PSI concrete

Dry sand tightly tamped
after aligning pole

Plastic PVC Sono tube

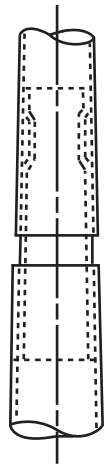
Crushed Stone



All shafts with overall length of more than 38'-6" are shipped in two sections.

Each section matched marked for field assembly. Exposed portion of jam sleeve must be **well lubricated** prior to assembly.

1-1/2" maximum shop gap allowed for field fitting (ram for tight joint)



Project:	Ground set tapered aluminum flagpole: ALLOY: 6063T6	FLAGPOLES ETC	Date:
Location:	Exposed height: 15'-0"	Overall height: 17'-0"	Revision:
Architect:	Ship in 1 section	Butt diameter: 3"	
Contractor:	Top diameter: 1-7/8"	Wall thickness: .125"	
Customer:	Finish: 100 grit polish		Job: