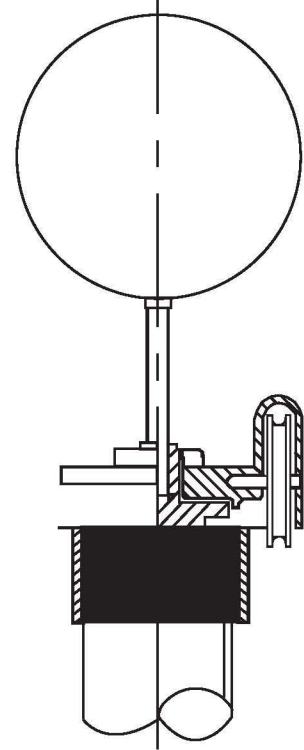
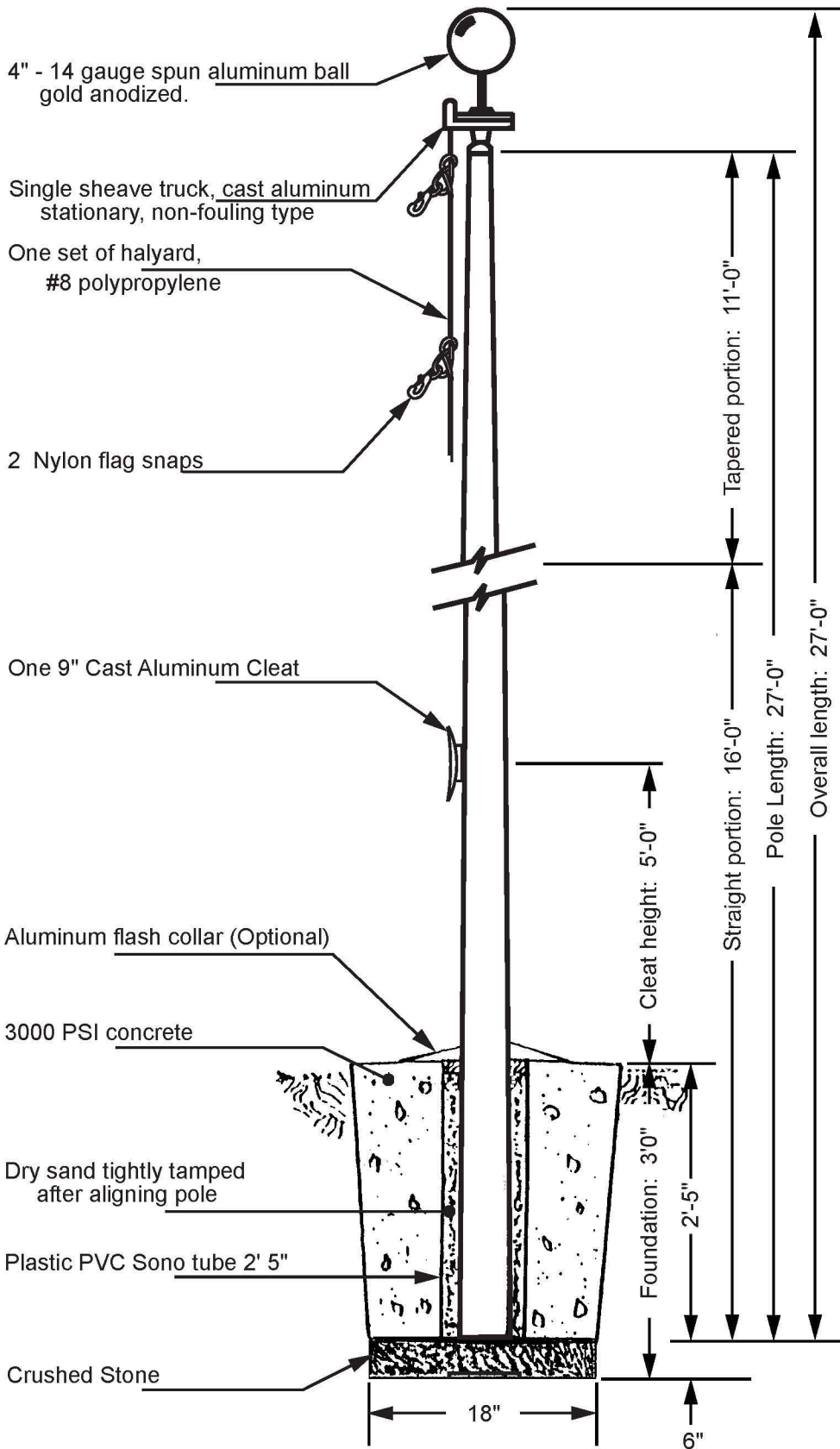


Model ECSA25 - ESS25B41

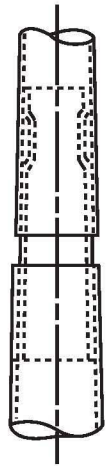
25 X 4 X .125



All shafts with overall length of more than 38'-6" are shipped in two sections.

Each section matched marked for field assembly. Exposed portion of jam sleeve must be well lubricated prior to assembly.

1-1/2" maximum shop gap allowed for field fitting (ram for tight joint)



Project:	Ground set tapered aluminum flagpole: ALLOY: 6063T6	FLAGPOLES ETC	Date:
Location:	Exposed height: 25'-0"	Overall height: 27'-0"	407 Hadley St.
Architect:	Ship in 1 section	Butt diameter: 2"	Holly, MI 48442
Contractor:	Top diameter: 2 1/2"	Wall thickness: .125"	(888) 735-5591
Customer:	Finish: 100 grit polish		Job: