

Model ECXV35 - ICC35C61

6" - 14 gauge spun aluminum ball
gold anodized.

Single sheave truck, cast aluminum
revolving, non-fouling, internal
halyard truck

One length #6 wire center halyard,
with 2 flag snaps and covers

One 2" x 3-1/2" vinyl covered
counterweight with eyelet

Beaded retaining ring

Access opening with cylinder lock

Aluminum flash collar

3000 PSI concrete

Hardwood wedges
(supplied by others)

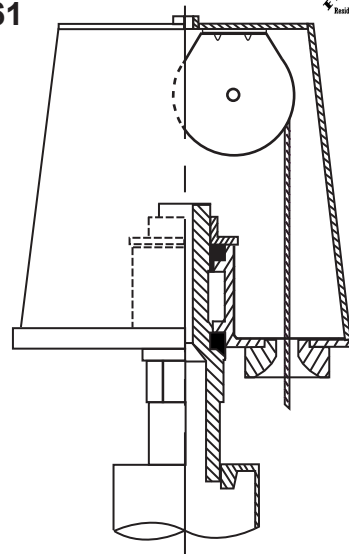
Dry sand tightly tamped
after aligning pole

Foundation sleeve -16 ga
hot dip galvanized steel

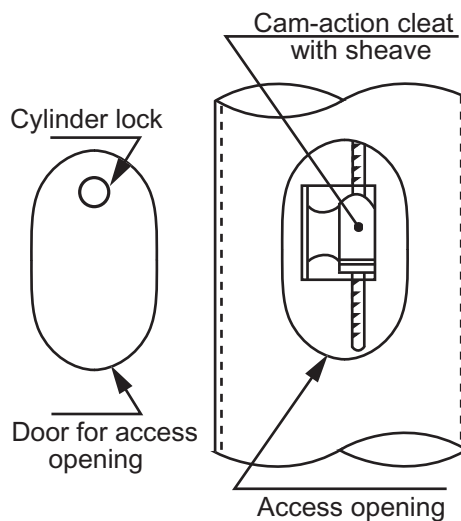
Steel centering wedges

1/4" Steel base plate

1/4" Steel support plate
welded to grounding spike



Revolving non-fouling internal halyard truck, cast aluminum body, 26 stainless steel ball bearings, and 2-1/2" diameter plated steel sheave.



All shafts with overall length of more than 38'-6" are shipped in two sections.

Each section matched marked for field assembly. Exposed portion of jam sleeve must be **well lubricated** prior to assembly.

1-1/2" maximum shop gap allowed for field fitting (ram for tight joint)



Exposed height: 35'-0"

Tapered portion: 20'-0"

Overall length: 38'-6"

Straight portion: 18'-6"

Access height: 5'-0"

Foundation: 4'-0"

3'-6"

6"

12"

8"
16"
35"

Filename: ECXV35 revolving truck Vanguard.ai

Project:	Ground set tapered aluminum flagpole: ALLOY: 6063T6	FLAGPOLES ETC.	Date:
Location:	Exposed height: 35'-0"	Overall height: 38'-6"	407 Hadley St.
Architect:	Ships in 1 or 2 sections	Butt diameter: 6"	Holly, MI 48442
Contractor:	Top diameter: 3-1/2"	Wall thickness: .156"	(888) 735-5591
Customer:	Finish: 100 grit polish		Job: